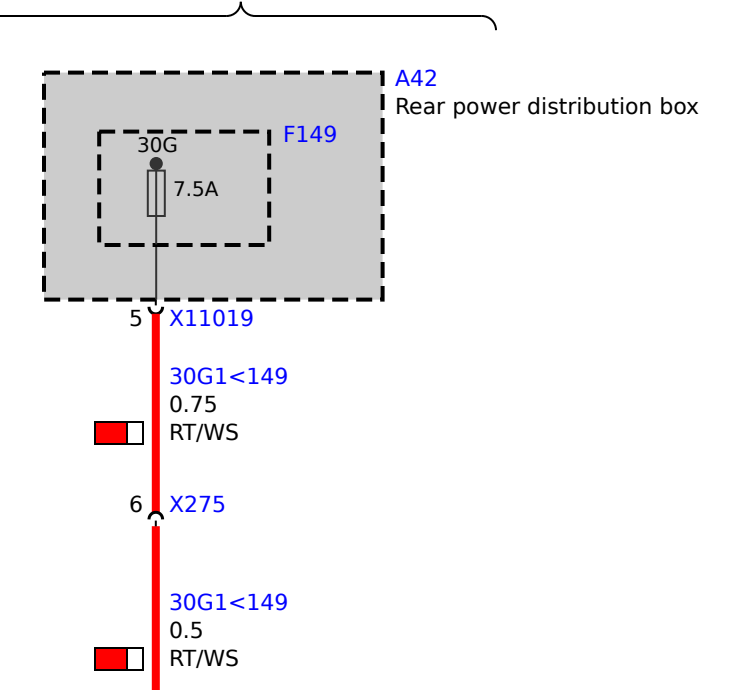
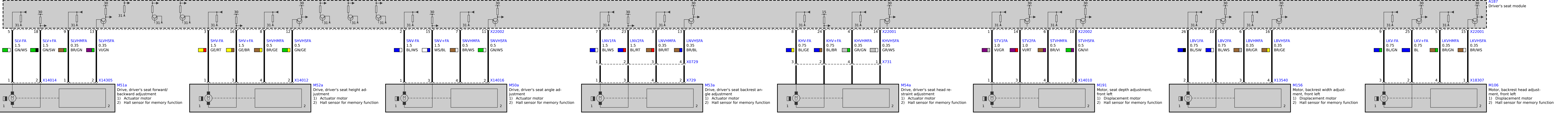


with lumbar support



without lumbar support



with comfort seat

**M51a**  
Drive, driver's seat forward/backward adjustment  
1) Actuator motor  
2) Hall sensor for memory function

**M52a**  
Drive, driver's seat height adjustment  
1) Actuator motor  
2) Hall sensor for memory function

**M50a**  
Drive, driver's seat angle adjustment  
1) Actuator motor  
2) Hall sensor for memory function

**M53a**  
Drive, driver's seat backrest angle adjustment  
1) Actuator motor  
2) Hall sensor for memory function

**M54a**  
Drive, driver's seat head restraint adjustment  
1) Actuator motor  
2) Hall sensor for memory function

**M191**  
Motor, seat depth adjustment, front left  
1) Displacement motor  
2) Hall sensor for memory function

**M156**  
Motor, backrest width adjustment, front left  
1) Displacement motor  
2) Hall sensor for memory function

**M106**  
Motor, backrest head adjustment, front left  
1) Displacement motor  
2) Hall sensor for memory function