

X860*1V

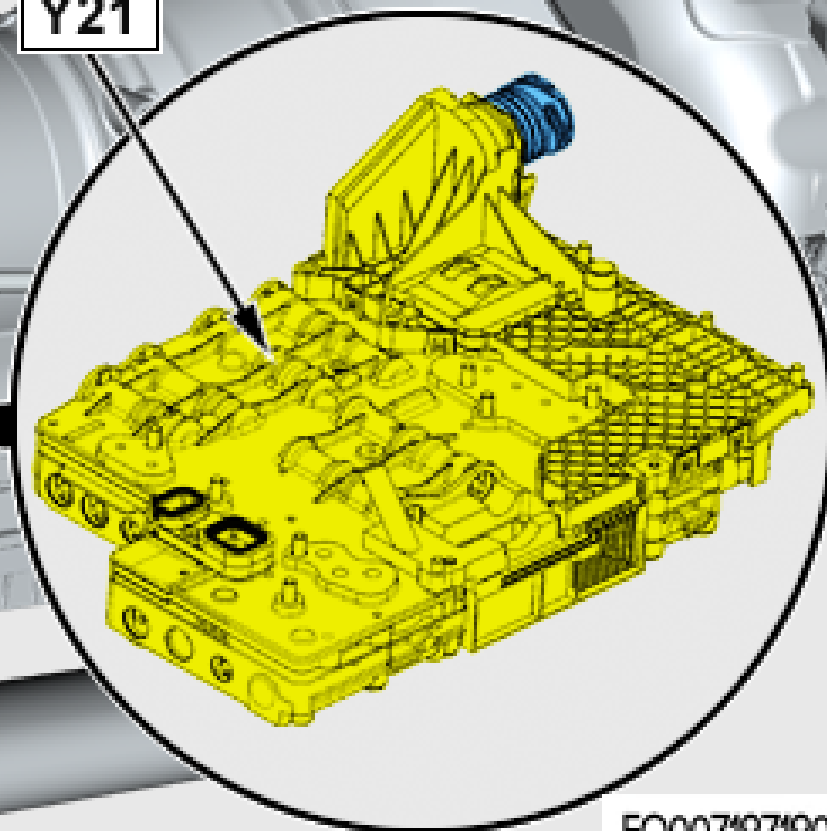
X861*1V

X928*1V

X932*1V

Y21

S70*1B



EO007197190000